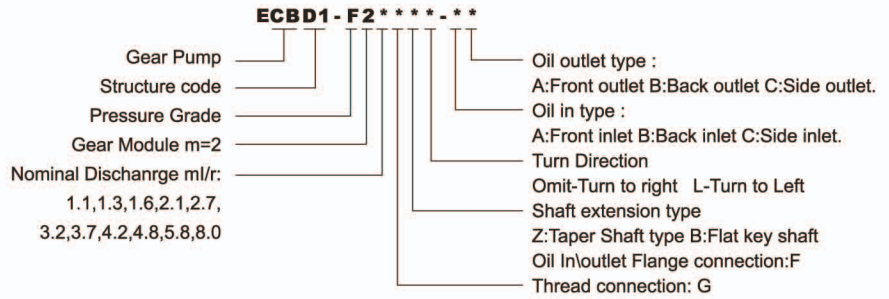


GEAR PUMPS ECBD1-F2 SERIES

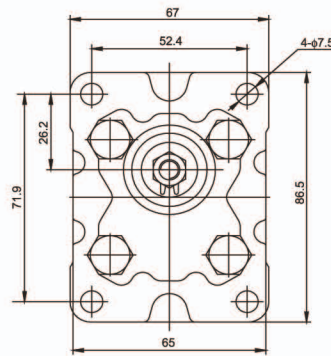
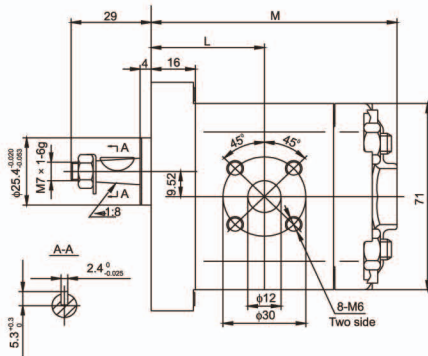


Specification:

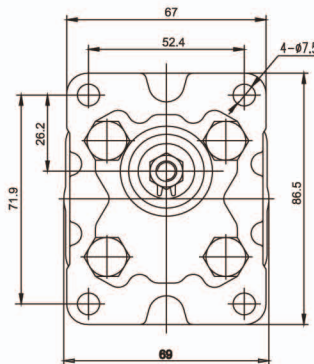
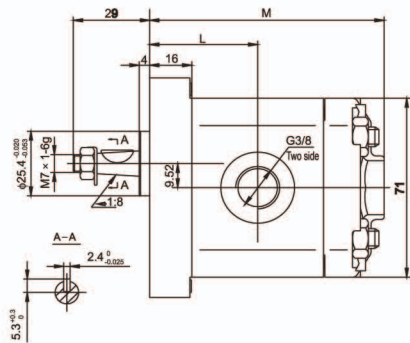
E CBD1-F2



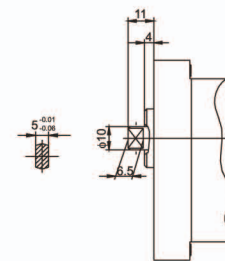
CBD1-F2*F**CC



CBD1-F2* **CC



Taper Shaft type
"B" shaft

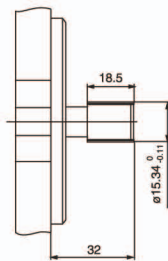
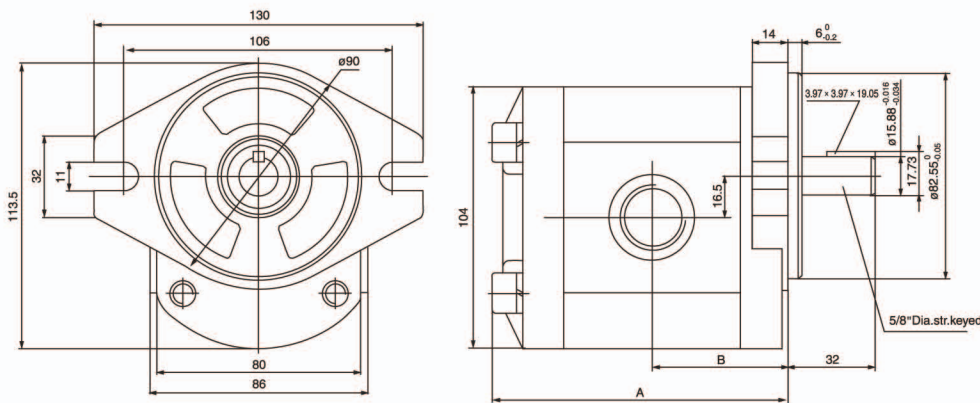
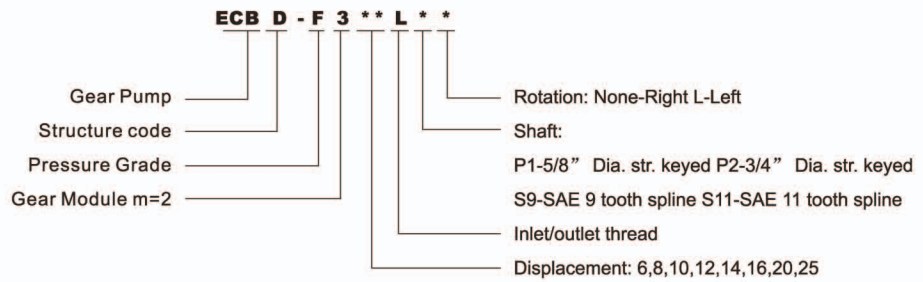
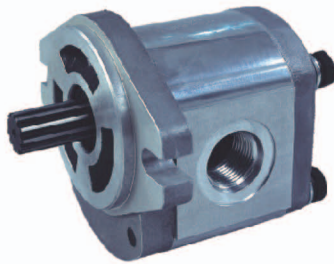


Model	Disp. (ml/r)	Pressure(MPa)		Speed(r/min)			L(mm)	M(mm)
		Rated	Max.	Rated	Max.	Min.		
ECBD1-F201.1	1.1	20	25	2000	6000	600	34	75
ECBD1-F201.3	1.3	20	25	2000	6000	600	34.5	76
ECBD1-F201.6	1.6	20	25	2000	6000	600	35	77
ECBD1-F202.1	2.1	20	25	2000	6000	600	36	79
ECBD1-F202.7	2.7	20	25	2000	6000	600	37	81
ECBD1-F203.2	3.2	20	25	2000	5000	600	38	83
ECBD1-F203.7	3.7	20	25	2000	4500	600	39	85
ECBD1-F204.2	4.2	20	25	2000	4000	600	40	87
ECBD1-F204.8	4.8	16	20	2000	3500	600	41	89
ECBD1-F205.8	5.8	16	20	2000	2900	600	43	93
ECBD1-F208.0	8.0	16	20	2000	2100	600	47	101

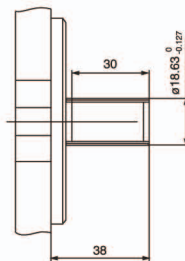
E CBD1-F2

Specification:

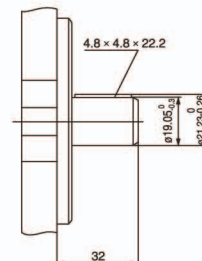
E CBD-F3



SAE 9 tooth spline



SAE 11 tooth spline



3/4" Dia.str.keyed

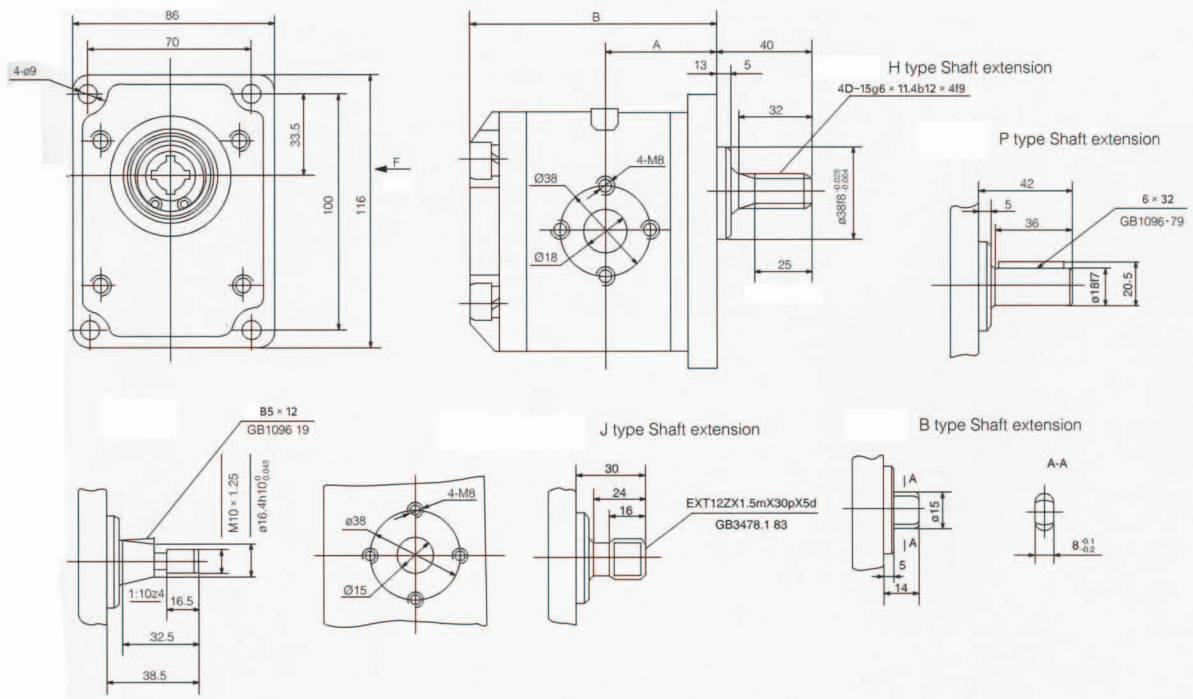
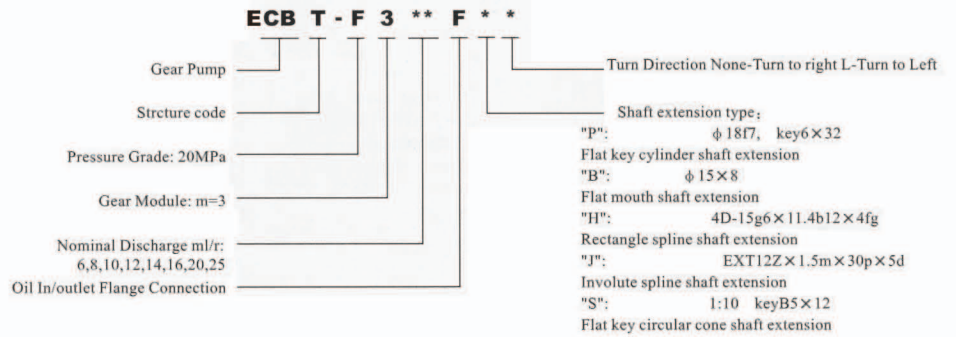
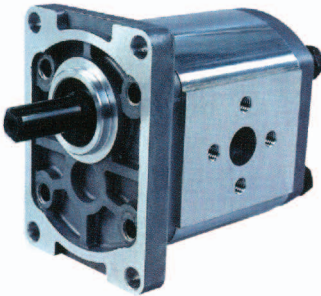
Model	Disp. (ml/r)	Pressure(MPa)		Speed(r/min)			A(mm)	B(mm)	M	
		Rated	Max.	Rated	Max.	Min.			(Inlet)	(Outlet)
ECBD-F306	6	20	25	2000	3000	600	103	45	7/8-14	3/4-16
ECBD-F308	8	20	25	2000	3000	600	106.5	47	7/8-14	3/4-16
ECBD-F310	10	20	25	2000	3000	600	109	48	7/8-14	3/4-16
ECBD-F312	12	20	25	2000	3000	600	113	50	1-5/16-12	1-1/16-12
ECBD-F314	14	20	25	2000	3000	600	115	51	1-5/16-12	1-1/16-12
ECBD-F316	16	16	20	2000	3000	600	119	52.5	1-5/16-12	1-1/16-12
ECBD-F320	20	16	20	2000	3000	600	125	56	1-5/16-12	1-1/16-12
ECBD-F325	25	16	20	2000	3000	600	133	60	1-5/16-12	1-1/16-12

GEAR PUMPS ECBT-F3 SERIES



Specification::

E CBT-F3

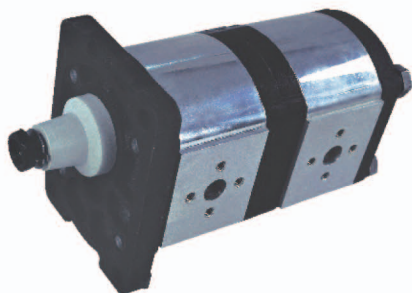


Model	Disp. (ml/r)	Pressure(MPa)		Speed(r/min)			A(mm)	B(mm)
		Rated	Max.	Rated	Max.	Min.		
ECBT-F306	6	20	25	2000	3000	600	47	103
ECBT-F308	8	20	25	2000	3000	600	49	106.5
ECBT-F310	10	20	25	2000	3000	600	50	109
ECBT-F312	12	20	25	2000	3000	600	52	113
ECBT-F314	14	20	25	2000	3000	600	53	115
ECBT-F316	16	20	25	2000	3000	600	54.5	118
ECBT-F320	20	20	25	2000	3000	600	58	125
ECBT-F325	25	20	25	2000	3000	600	62	133

E CBT-F3

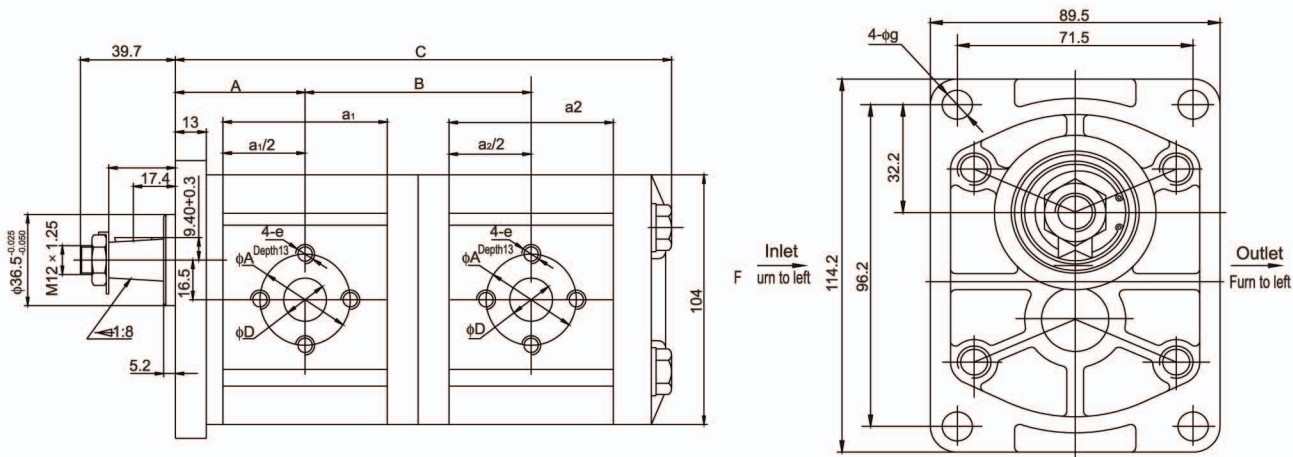
Specification:

E CBT-F3**/**F1Z1



ECB T - F 3 ** / ** F1 Z1 *
 ① ② ③ ④ ⑤ ⑥ ⑦ ⑧ ⑨

- ① Gear Pump
- ② Structure code
- ③ 20 MPa Pressure Grade
- ④ m=3 Gear Module
- ⑤ Front Pump Nominal Discharge ml/r: 4, 6, 8, 12, 14, 16, 20, 25
- ⑥ Back Pump Nominal Discharge ml/r: 4, 6, 8, 12, 14, 16, 20, 25
- ⑦ Oil In\outlet Flange connection
- ⑧ Taper Shaft type
- ⑨ Turn Direction Omit-Turn to right L-Turn to left



Discharge ml/r	Size a1、a2	Flange Inlet			Flange Outlet		
		ΦD	ΦA	Φe	ΦD	ΦA	Φe
4	52	13	30	M6	13	30	M6
6	54	13	30	M6	13	30	M6
8	57.5	13	30	M6	13	30	M6
10	60	20	40	M8	13	30	M6
12	64	20	40	M8	13	30	M6
14	66	20	40	M8	13	30	M6
16	70	20	40	M8	13	30	M6
20	76	20	40	M8	13	30	M6
25	84	22	40	M8	13	30	M6

Model	Size A	Size B	Size C
CBT-F3**/**F1Z1*	19+a1/2	26+a1/2+a2/2	68.5+a1+a2

GEAR PUMPS

E1PF,2PF*L,2PF*F,2PF*DF,3PF*F SERIES

EQUUS

Introduction:

E 1PF/3PF

Gear Pump of EQUUS HYDRAULICS features floating bush structure with the function of automatic axial clearance compensation. Special abrasion resistance recipe of the bush supplied the long service life; the gear precisely machined ensured the excellent operation with low noise; cold-extrusion profile pump body can endure the pressure over 30Mpa; high strength cast iron of front/back cover is more reliable to operate. It can be widely used in industrial hydraulic systems, hydraulic systems of mobile mechanism, hydraulic system of aerospace system, hydraulic system on the ship and the hydraulic system on ocean engineering.



E 1PF/3PF

General:

To achieve the performance its necessary not only to meet the catalogue but also to take real care of the design of the hydraulic as a whole, in particular:

The design of the hydraulic circle, especially the suction line, dimension and position of the valves, the filters the reservoirs and the heat exchanger.

Ensure correct and frequent cleaning and maintenance of the circle and of the hidraulic fluid.

Equip the circuit with suitable alarm and safety devices.

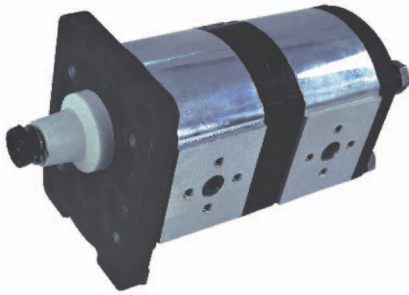
Avoid possible starting under load at lower temperature.

Avoid high pressure at low speed.

In reason choice oil is major factor.

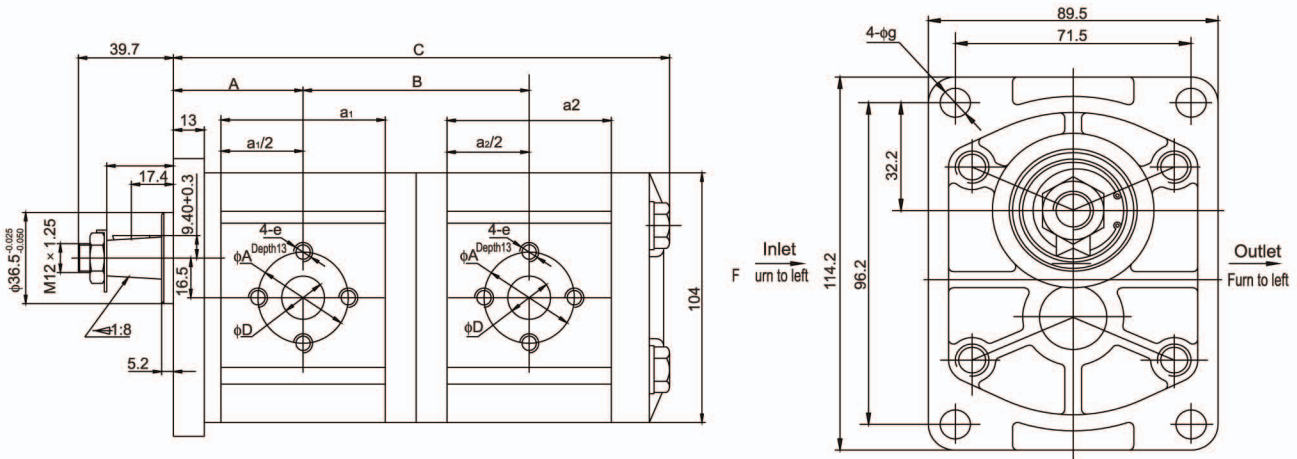
Specification:

E CBT-F3**/**F1Z1



ECB T - F 3 ** / ** F1 Z1 *
① ② ③ ④ ⑤ ⑥ ⑦ ⑧ ⑨

- ① Gear Pump
- ② Structure code
- ③ 20 MPa Pressure Grade
- ④ m=3 Gear Module
- ⑤ Front Pump Nominal Discharge ml/r: 4, 6, 8, 12, 14, 16, 20, 25
- ⑥ Back Pump Nominal Discharge ml/r: 4, 6, 8, 12, 14, 16, 20, 25
- ⑦ Oil In\outlet Flange connection
- ⑧ Taper Shaft type
- ⑨ Turn Direction Omit-Turn to right L-Turn to left

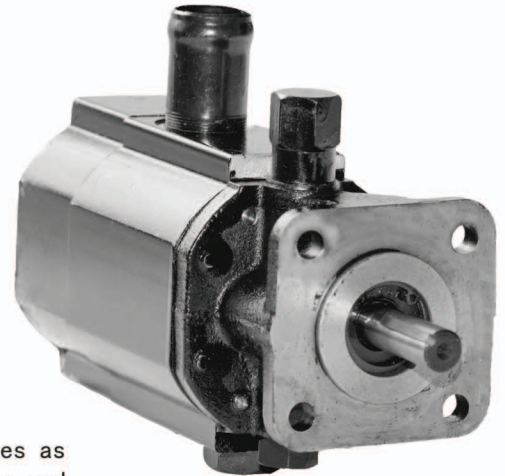
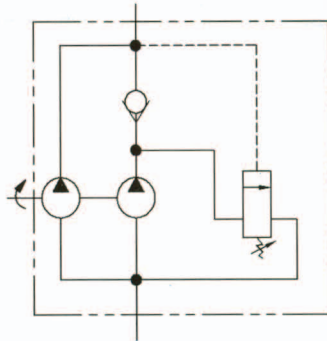


Discharge ml/r	Size a1、a2	Flange Inlet			Flange Outlet		
		ΦD	ΦA	Φe	ΦD	ΦA	Φe
4	52	13	30	M6	13	30	M6
6	54	13	30	M6	13	30	M6
8	57.5	13	30	M6	13	30	M6
10	60	20	40	M8	13	30	M6
12	64	20	40	M8	13	30	M6
14	66	20	40	M8	13	30	M6
16	70	20	40	M8	13	30	M6
20	76	20	40	M8	13	30	M6
25	84	22	40	M8	13	30	M6

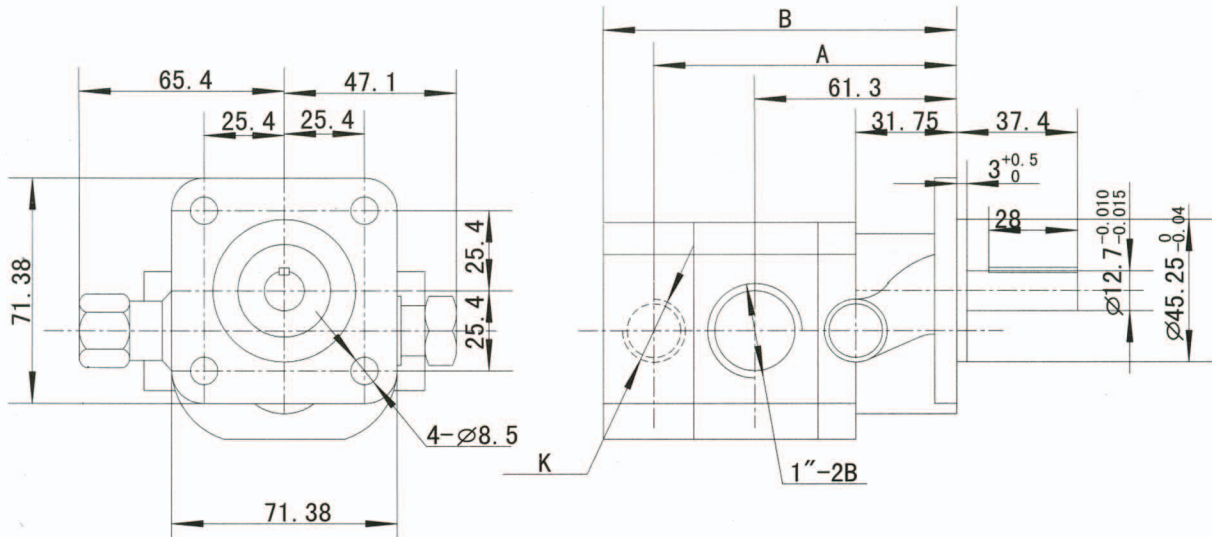
Model	Size A	Size B	Size C
CBT-F3**/**F1Z1*	19+a1/2	26+a1/2+a2/2	68.5+a1+a2

Specification:

E CBW-G200



CBW-G200 High-Low Pump is mainly adopted the important assemblies as double combined gears , needle bearing for high load, check valve and relieve valve suport the functions of high-low pressure and flow control. It is featured with particular design, reliable performance and long work life. It is mainly used in the woodworking machinery, such as the log splitter.



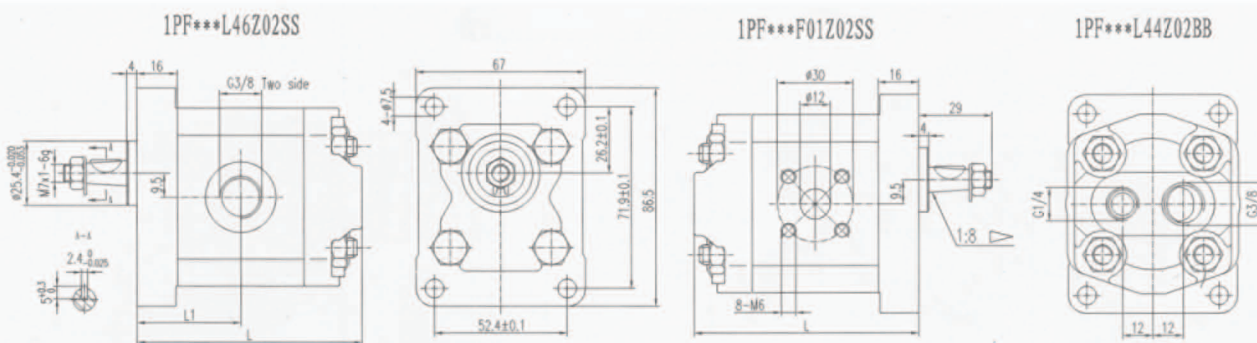
type	(ml/r)	(ml/r)	(MPa)	(MPa)	(r/min)	(°C)	(kw)	A	B	K
CBW-G6/2	6	2					3	95.9	155.3	3/4-16SAE
CBW-G8/3	8	3					3	101.4	160.8	
CBW-G8.5/1.6	8.5	1.6					3	103.8	163.2	
CBW-G10/2	10	2	0-3	0-25	500-2000	≤90	3.5	108.9	168.3	7/8-14SAE
CBW-G12.7/3.18	12.7	3.18					4	116.3	175.7	
CBW-G13.6/4.6	13.6	4.6					5	116.9	176.3	
CBW-G16/3	16	3					6	123.9	183.3	

E CBW-G200

Specification:

E 1PF

MODEL	DISPLACEMENT (ml/r)	PRESSUR (MPa)		SPEED (r/min)			L(mm)	L1(mm)
		RATED	MAX	RATED	MAX	Min		
IPF1.1*****Z02**	1.1	20	25	2000	6000	600	75	33
IPF1.3*****Z02**	1.3	20	25	2000	6000	600	76	34
IPF1.6*****Z02**	1.6	20	25	2000	6000	600	78	35
IPF1.8*****Z02**	1.8	20	25	2000	6000	600	78.5	35.5
IPF2.1*****Z02**	2.1	20	25	2000	6000	600	79	36
IPF2.7*****Z02**	2.7	20	25	2000	6000	600	81	37
IPF3.2*****Z02**	3.2	20	25	2000	5000	600	83	38
IPF3.7*****Z02**	3.7	20	25	2000	4500	600	85	39
IPF4.2*****Z02**	4.2	20	25	2000	4000	600	87	40
IPF4.8*****Z02**	4.8	16	20	2000	3500	600	89	41
IPF5.8*****Z02**	5.8	16	20	2000	2900	600	93	43
IPF8.0*****Z02**	8.0	16	20	2000	2100	600	101	47



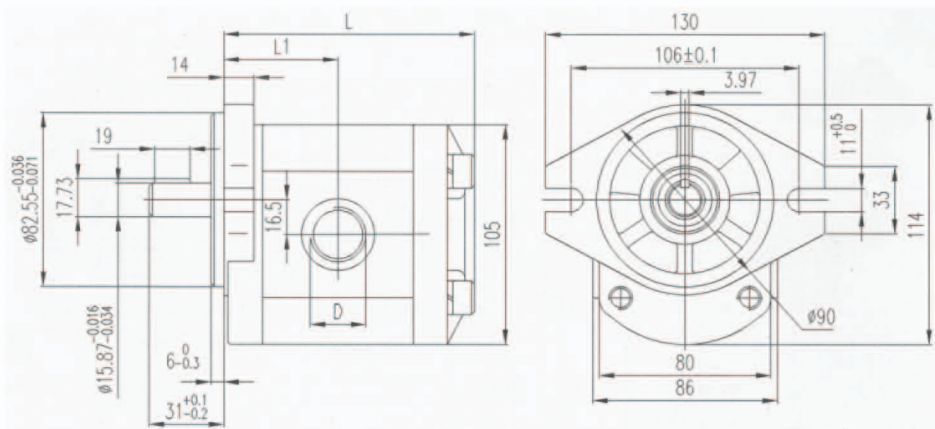
MODEL INSTRUCTION

1	P	F	***	***	Z02	*	**
group number	function code	pressure level code	Displacement	Inlet/outlet combination	shaft extension combination	rotate direction	inlet/out position combination
1: 1group	P: Gear pump M: motor	F:16~25 Mpa E:12.5~16 MPa	reference above table	L44, F01, etc reference accessory 1	Z02, etc reference accessory 2	L-left rotate omit-right rotate	There are two option: SS: side inlet and side out BB: Back inlet and

Specification:

E 2PF*L

MODEL	DISPLACMENT (ml/r)	PRESSUR (MPa)		SPEED (r/min)			L (mm)	L1 (mm)	D	
		RATED	MAX	RATED	MAX	Min			IN	OUT
2PF4L45P02*	4	20	25	2000	3500	500	96	44	PT 1/2	PT 1/2
2PF6L45P02*	6	20	25	2000	3500	500	98	45		
2PF8L45P02*	8	20	25	2000	3500	500	102	47		
2PF10L45P02*	10	20	25	2000	3500	500	104	48		
2PF12L10P02*	12	20	25	2000	3500	500	108	50		
2PF14L10P02*	14	20	25	2000	3500	500	110	51	PT 3/4	PT 1/2
2PF16L10P02*	16	20	25	2000	3500	500	114	53		
2PF18L10P02*	18	20	25	2000	3500	500	117	55		
2PF20L10P02*	20	20	25	2000	3500	500	120	56		
2PF23L10P02*	23	20	25	2000	3500	500	123	58		
2PF25L10P02*	25	20	25	2000	3500	500	128	60		
2PF28L10P02*	28	16	20	2000	3500	500	133	63		
2PF30L10P02*	30	16	20	2000	3500	500	136	64		



MODEL INSTRUCTION							
2	/A	P	F	**	L**	P02	/L
group number	structure improve number	function code	pressure level code	Displacement	Inlet/outlet combination	shaft extension combination	rotate direction
2: 2group	Omit : aluminum-alloy cover A: high strength cast iron cover	P: Gear pump M: motor	F: 16~25 Mpa E: 12.5~16 MPa	reference above table	L45: L10, etc reference accessory 1	P02, etc reference accessory 2	L-left rotate omit-right rotate

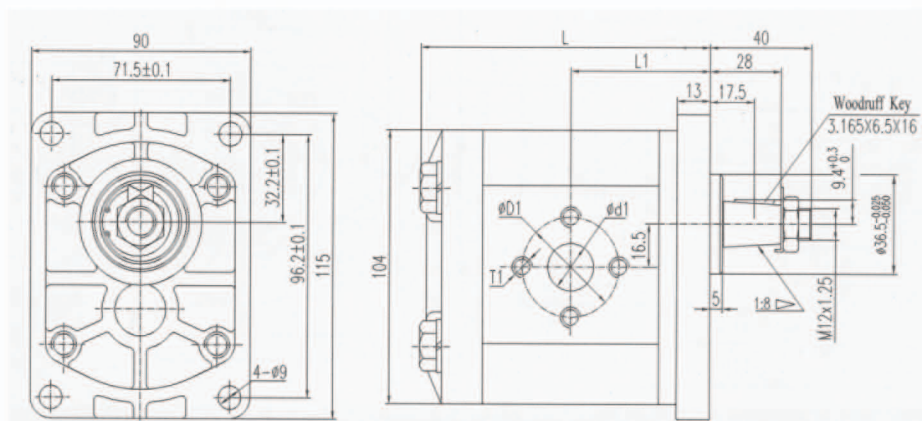
E 2PF*L

Specification:

E 2PF*F

E 2PF*F

MODEL	DISPLACEMENT (ml/r)	PRESSUR (MPa)		SPEED (r/min)			L (mm)	L1 (mm)	Inlet			Outlet		
		RATED	MAX	RATED	MAX	Min			φD1	φd1	T1	φD2	φd2	T2
2PF4F02Z03*	4	20	25	2000	3500	500	98	46	30	13	M6	30	13	M6
2PF6F02Z03*	6	20	25	2000	3500	500	100	47						
2PF8F02Z03*	8	20	25	2000	3500	500	104	49						
2PF10F06Z03*	10	20	25	2000	3500	500	106	50						
2PF12F06Z03*	12	20	25	2000	3500	500	110	52						
2PF14F06Z03*	14	20	25	2000	3500	500	112	53	40	20	M8	30	13	M6
2PF16F06Z03*	16	20	25	2000	3500	500	116	55						
2PF18F06Z03*	18	20	25	2000	3500	500	119	57						
2PF20F06Z03*	20	20	25	2000	3500	500	122	58						
2PF23F06Z03*	23	20	25	2000	3500	500	125	60						
2PF25F06Z03*	25	20	25	2000	3500	500	130	62	40	20	M8	30	13	M6
2PF28F06Z03*	28	16	20	2000	3500	500	135	65						
2PF30F06Z03*	30	16	20	2000	3500	500	138	66						



MODEL INSTRUCTION

2	/A	P	F	**	F**	Z03	L
group number	structure improve number	function code	pressure level code	Displacement	Inlet/outlet combination	shaft extension combination	rotate direction
2:	omit:	P:	F:16~25 Mpa	reference above table	F02, F06, etc	Z03, etc	L-left rotate
2group	aluminum-alloy cover A: high strength cast iron cover	Gear pump M: motor	E:12.5~16 MPa		reference accessory 1	reference accessory 2	omit-right rotate

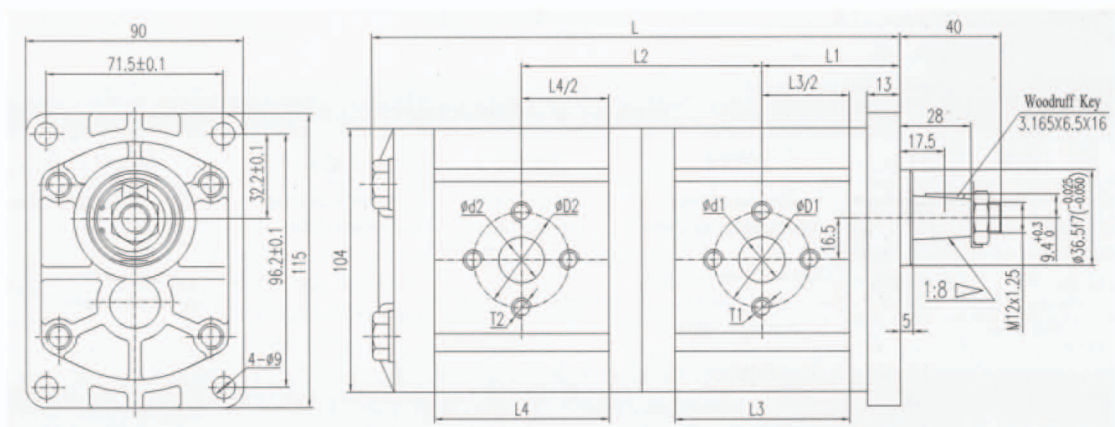
GEAR PUMPS E2PF*DF SERIES



Specification:

E 2PF*DF

MODEL	DIPLA- CMENT (ml/r)	PRESSUR (MPa)		SPEED (r/min)			L (mm)	L1 (mm)	L2 (mm)	Inlet			Outlet		
		RATED	MAX	RATED	MAX	Min				φD1 (mm)	φd1 (mm)	T1 (mm)	φD2 (mm)	φd2 (mm)	T2 (mm)
2PF4/**DF01Z03*	4/**	20	25	2000	3000	500	69+13+14	19+13/2	19+13/2+14/2	30	14	M6	30	14	M6
2PF6/**DF01Z03*	6/**	20	25	2000	3000	500									
2PF8/**DF01Z03*	8/**	20	25	2000	3000	500									
2PF10/**DF02Z03*	10/**	20	25	2000	3000	500									
2PF12/**DF02Z03*	12/**	20	25	2000	3000	500									
2PF14/**DF02Z03*	14/**	20	25	2000	3000	500									
2PF16/**DF02Z03*	16/**	20	25	2000	3000	500				40	20	M8	30	14	M6
2PF18/**DF02Z03*	18/**	16	20	2000	3000	500									
2PF20/**DF02Z03*	20/**	16	20	2000	3000	500									
2PF23/**DF02Z03*	23/**	16	20	2000	3000	500									
2PF25/**DF02Z03*	25/**	16	20	2000	3000	500									



MODEL INSTRUCTION							
2	/A	DP	F	**/**	DF**	Z03	/L
group number	structure improve number	function code	pressure level code	Displacement	Inlet/outlet combination	shaft extension combination	rotate direction
2: 2 group	omit: aluminum-alloy cover A: high strength cast iron cover	DP: Double Gear pump	F: 16~25 Mpa E: 12.5~16 Mpa	reference above table Front pump displacement Back pump displacement	DF02, DF03, etc reference accessory 1	Z03, etc reference accessory 2	L-left rotate omit-right rotate

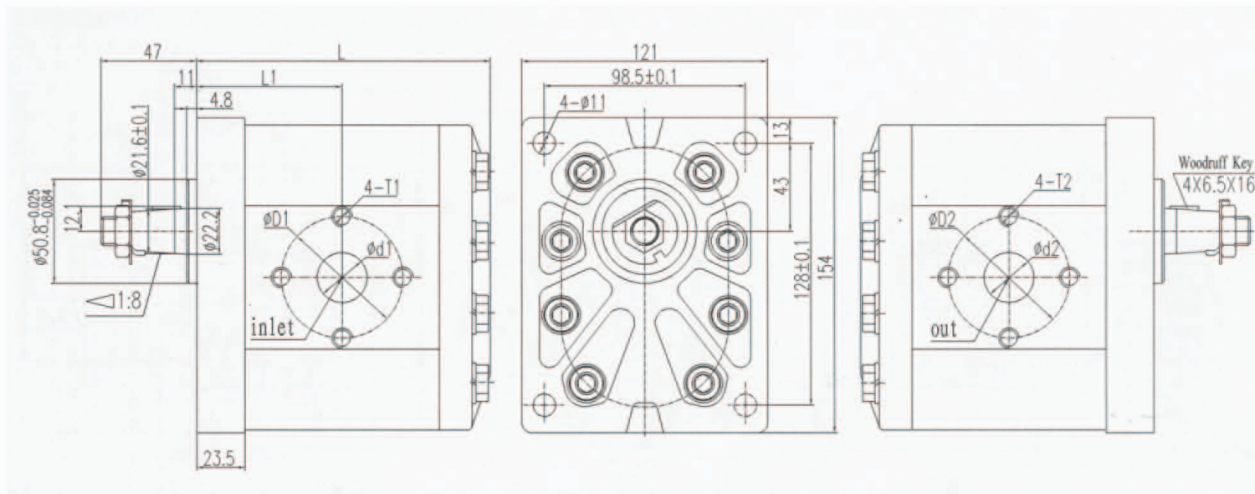
E 2PF*DF

Specification:

E 3PF*F

E 3PF*F

MODEL	DISPLACEMENT (ml/r)	PRESSUR (MPa)		SPEED (r/min)			L (mm)	L1 (mm)	φD1 (mm)	φd1 (mm)	T1 (mm)	φD2 (mm)	φd2 (mm)	T2 (mm)	
		RATED	MAX	RATED	MAX	Min									
3PF22F10	22	20	25	2000	3000	400	129	64	56	27	M10	56	19	M10	
3PF26F10	26	20	25	2000	3000	400	132	66							
3PF34F10	34	20	25	2000	3000	400	137	68							
3PF39F10	39	20	25	2000	3000	400	141	70	62	33	M10	51	27	M10	
3PF43F09	43	20	25	2000	2800	400	144	71							
3PF51F11	51	20	25	2000	2400	400	150	74							
3PF60F12	60	18	23	1500	2800	400	156	77	62	33	M10	51	27	M10	
3PF70F12	70	17.5	20	1500	2500	400	163	81							
3PF78F12	78	16	20	1500	2300	400	168	83							
3PF89F12	89	14	18	1500	2000	400	174	87							

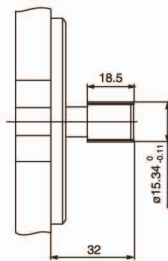
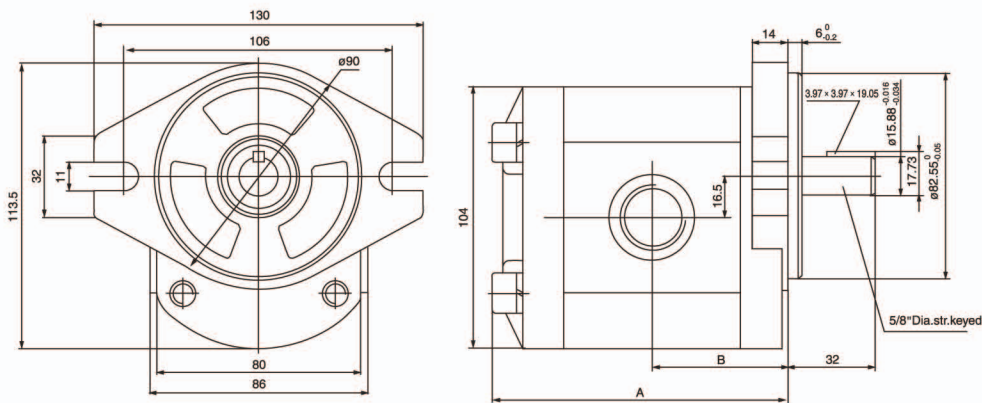
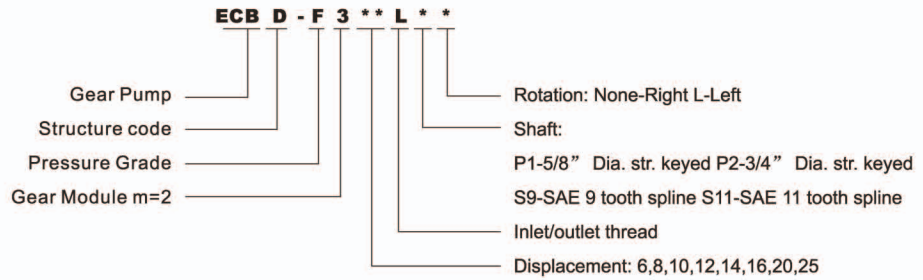
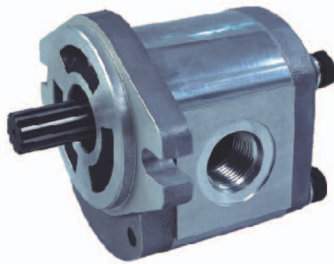


MODEL INSTRUCTION

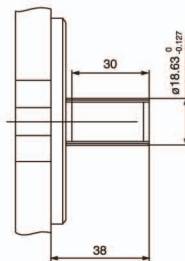
3	P	F	* *	F**	Z05	/L
group number	function code	pressure level code	Displacement	Inlet/outlet combination	shaft extension combination	rotate direction
3: 3group	P: Gear pump	F:16~25 Mpa	reference above table	F09; F10; F11; F12, etc reference accessory 1	Z05, etc reference accessory 2	L-left rotate omit-right rotate

Specification:

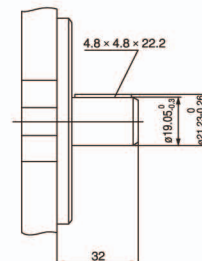
E CBD-F3



SAE 9 tooth spline



SAE 11 tooth spline



3/4" Dia.str.keyed

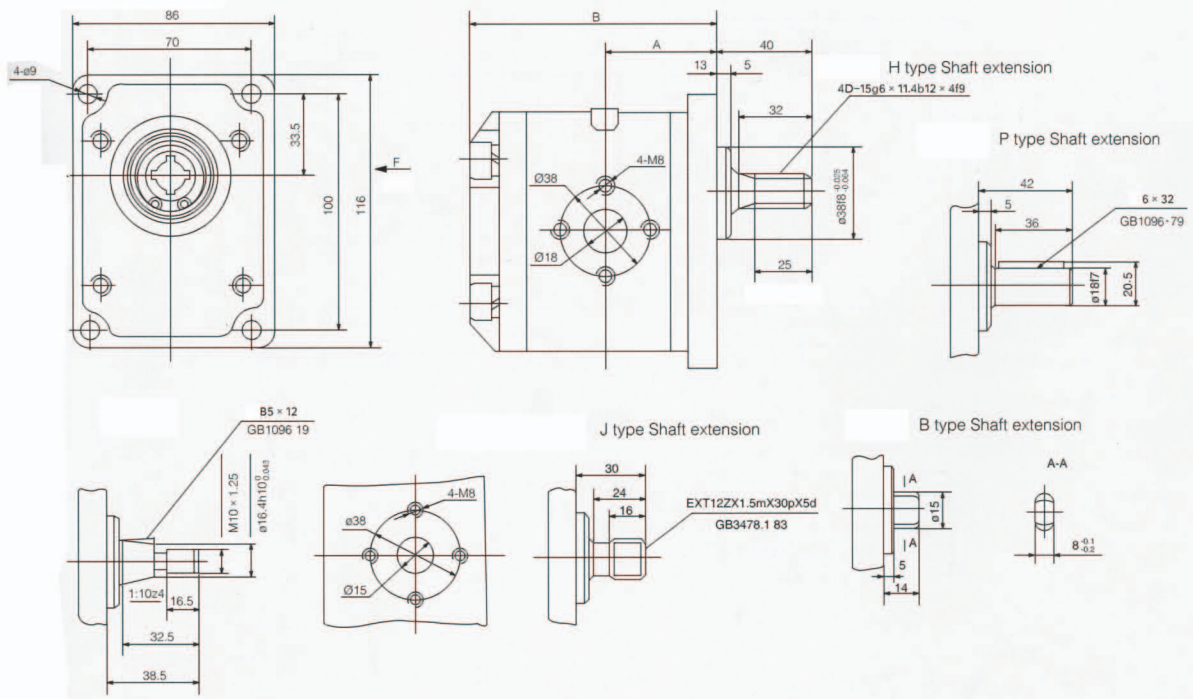
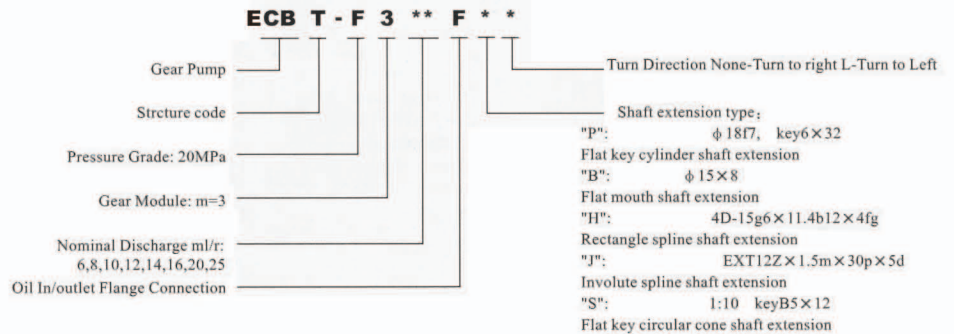
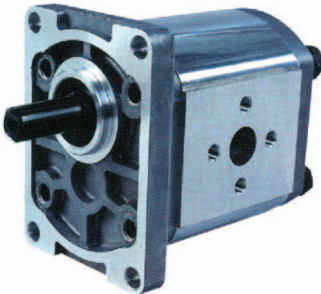
Model	Disp. (ml/r)	Pressure(MPa)		Speed(r/min)			A(mm)	B(mm)	M	
		Rated	Max.	Rated	Max.	Min.			(Inlet)	(Outlet)
ECBD-F306	6	20	25	2000	3000	600	103	45	7/8-14	3/4-16
ECBD-F308	8	20	25	2000	3000	600	106.5	47	7/8-14	3/4-16
ECBD-F310	10	20	25	2000	3000	600	109	48	7/8-14	3/4-16
ECBD-F312	12	20	25	2000	3000	600	113	50	1-5/16-12	1-1/16-12
ECBD-F314	14	20	25	2000	3000	600	115	51	1-5/16-12	1-1/16-12
ECBD-F316	16	16	20	2000	3000	600	119	52.5	1-5/16-12	1-1/16-12
ECBD-F320	20	16	20	2000	3000	600	125	56	1-5/16-12	1-1/16-12
ECBD-F325	25	16	20	2000	3000	600	133	60	1-5/16-12	1-1/16-12

GEAR PUMPS ECBT-F3 SERIES



Specification::

E CBT-F3



Model	Disp. (ml/r)	Pressure(MPa)		Speed(r/min)			A(mm)	B(mm)
		Rated	Max.	Rated	Max.	Min.		
ECBT-F306	6	20	25	2000	3000	600	47	103
ECBT-F308	8	20	25	2000	3000	600	49	106.5
ECBT-F310	10	20	25	2000	3000	600	50	109
ECBT-F312	12	20	25	2000	3000	600	52	113
ECBT-F314	14	20	25	2000	3000	600	53	115
ECBT-F316	16	20	25	2000	3000	600	54.5	118
ECBT-F320	20	20	25	2000	3000	600	58	125
ECBT-F325	25	20	25	2000	3000	600	62	133

E CBT-F3