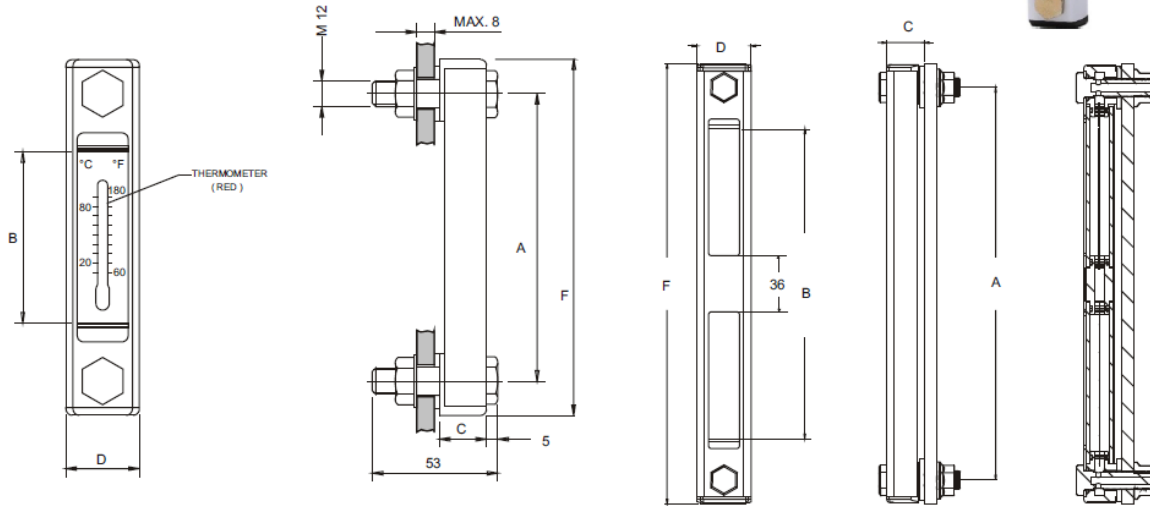


- 'O' RING TYPE CONSTRUCTION
- 3 SIZES 3", 5" & 10" BETWEEN BOLT CENTRES
- FOR NON PRESSURISED TANKS ONLY
- CAN BE MOUNTED ON TAPPED HOLES
- SUITABLE FOR MINERAL / PETROLEUM BASED OILS
- MAXIMUM TEMPERATURE 80° C

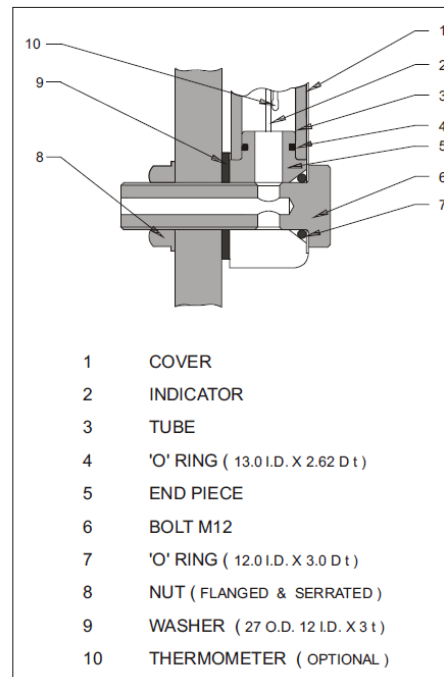


MODEL	A	B	C	D	F	WT KGS
VN - 03	76	31	20	34	108	0.23
VN - 05	127	76	20	34	159	0.28
VN - 10	254	200	20	34	286	0.41

MODEL CODE : ASSEMBLY

SERIES	- 05	T	- M 10	- X
	SIZE INCH	FEATURE OPTIONAL #	FEATURE SPECIAL #	FEATURE OPTIONAL#
VN	03 - 3"	T - THERMOMETER (OMIT IF NOT REQD)	M12 - STD (M12 X 1.75 BOLT)	No Nuts (For Fitting On Tapped Holes)
	05 - 5"		M10 - SPECIAL (M10 X 1.50 BOLT)	
	10 - 10"		UNC - SPECIAL (1/2" - 13 UNC)	

NOTE: BOLT TORQUE TO BE LIMITED TO 3 FT LBS
OPTIONAL / SPECIAL FEATURE - OMIT IF NOT REQUIRED



DIMENSIONS IN MM FOR REFERENCE ONLY